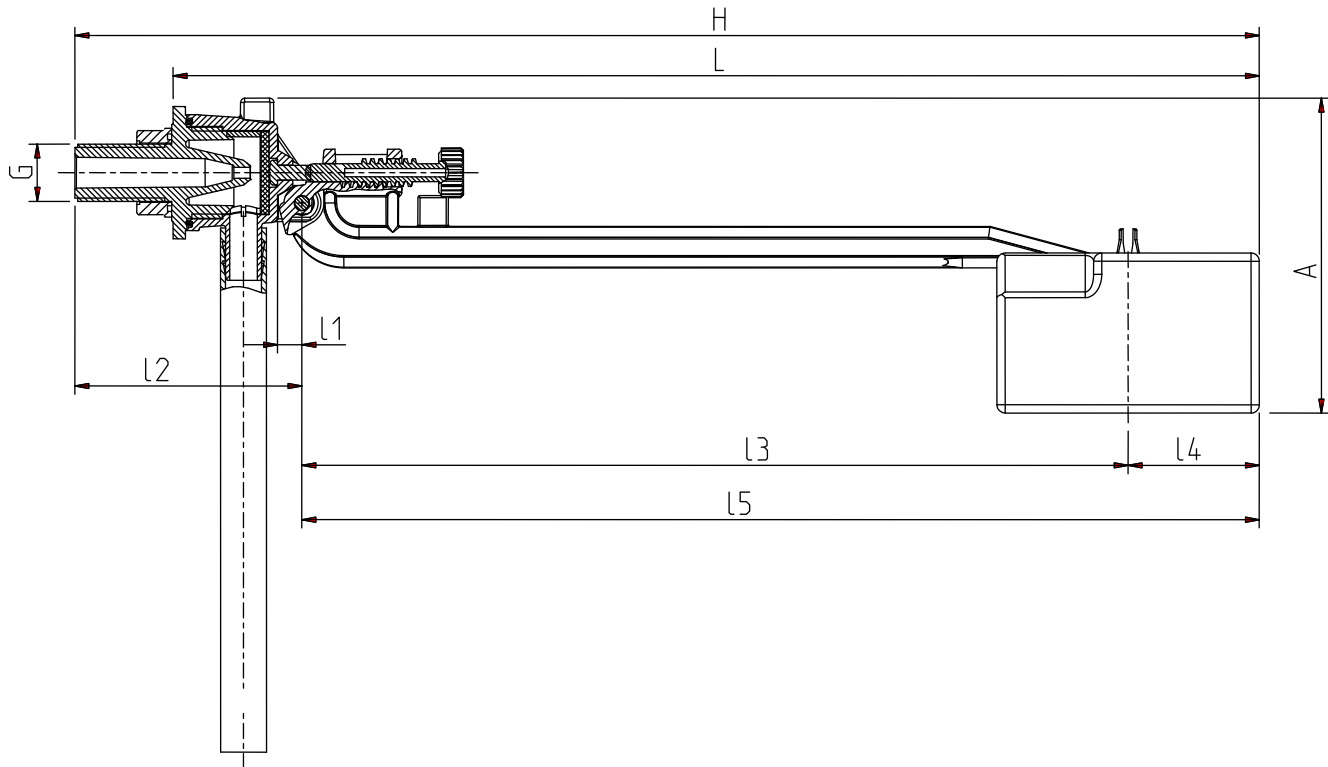


Technische specificaties



	NAME	Catalog No.	G	A	H	L	L1	L2	L3	L4	L5
1.	Float Valve SQ.1/2	33000005	½"	114	435	400	8.5	81	299	54	353

- Working pressure: 0.1 – 10 bar
- Capacity at Inlet Pressure of 1.0 Bar (L/min): 7.0 Liter/min
- Raw materials:
 - valve , arm – POM ("Acetal")
 - seal- NBR
 - float- HDPE
 - Tube- PVC